

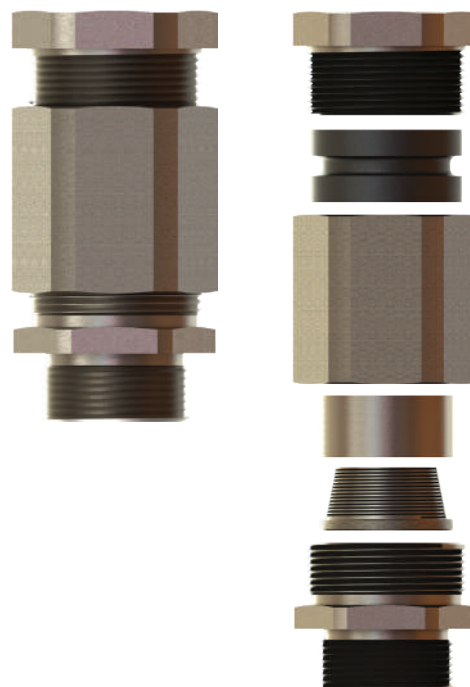
Armoured Cable Glands

Cable glands for armoured cables

- Specially designed cable glands for armoured cables. Large temperature range applications.
- Easy assembly: install cable gland - prepare steel wires - insert cable - tighten cap.
- High quality strain relief and sealing, reliable performance for standard industrial applications.

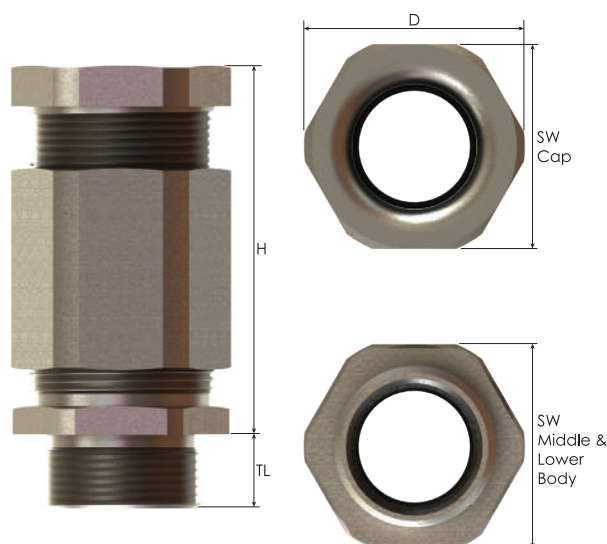
Technical Details

Cable Gland	Brass, Brass Nickel plated, Stainless Steel	
Material	Brass, Brass Nickel plated, Stainless Steel	
Inner Part	Brass, Brass Nickel plated, Stainless Steel	
Sealing	CR (Chloroprene), Silicone	
Ingress Protection Rating	IP 66	
Operating Temperature	Seal Material	
	CR (Chloroprene)	Silicone
	-40 °C to +100 °C	-60 °C to +180 °C
Thread Type	<ul style="list-style-type: none"> • Metric EN 60423 • NPT ANSI B1.20.1 • Other thread types also available upon request. 	
Cable Type	SWA, SWB, AWA, STA and Shielded	
Accessories	<ul style="list-style-type: none"> • Lock nuts • Gaskets (Washers) • Shroud 	
Remarks	<ul style="list-style-type: none"> • Manufactured according to DIN EN 62444/50262. • We recommend the use of lock nuts and gaskets to ensure IP rating for rough surfaces or through holes. • Accessories must be ordered separately. 	



Order Coding					
Part Number	Seal	Material	- Gasket (Washer)	Lock Nut	Shroud
Mandatory	Mandatory	Mandatory	- Option	Option	Option
See table	C CR (Chloroprene) S Silicone	B Brass BN Brass Nickel plated X Stainless steel	- WC CR (Chloroprene) WS Silicone	L Lock nut	S Shroud
ShroExample					
KBET2LM	S	BN	- WC	L	S

Armoured Cable Glands



Thread Type **METRIC** acc. to EN 60423

Outer Thread Size (Male)	Clamping Range Ø min-max mm	Armour Wire Ø min-max mm	Outer Thread Length TL mm	Spanner Width			Outer Ø D mm	max. Height H mm	Part Number	Minimum Order Quantity
				Cap SW Cap mm	Middle Body SW Middle Body mm	Lower Body SW Lower Body mm				
M16x1,5	8,0 - 15,0	0,3 - 1,3	9,0	25	25	24	27,0	42,5	KBET01M	70
	8,0 - 15,0	0,3 - 1,3	9,0	25	25	24	27,0	42,5	KBET1M	70
M20x1,5	13,5 - 21,0	0,4 - 1,3	9,0	30	30	29	33,0	43,5	KBET1LM	70
	8,0 - 15,0	0,3 - 1,3	9,0	25	25	25	27,0	42,5	KBET2SM	70
M25x1,5	13,5 - 21,0	0,4 - 1,3	9,0	30	30	29	33,0	43,5	KBET2M	70
	18,0 - 27,0	0,4 - 1,6	9,0	40	40	40	44,5	50,0	KBET2LM	40
M32x1,5	18,0 - 27,0	0,4 - 1,6	9,0	40	40	40	44,5	50,0	KBET3SM	40
	23,0 - 33,0	0,4 - 2,0	9,0	43	43	43	47,0	53,5	KBET3M	40
M40x1,5	29,0 - 40,0	0,4 - 2,0	9,0	52	52	52	59,0	57,0	KBET4M	24
M50x1,5	35,0 - 48,0	0,4 - 2,5	9,0	60	60	60	66,5	69,5	KBET5SM	12
	42,0 - 56,0	0,6 - 2,5	9,0	75	74	70	83,0	76,5	KBET5M	12
M63x1,5	42,0 - 56,0	0,6 - 2,5	9,0	75	74	70	83,0	76,5	KBET6SM	12
	53,0 - 66,0	0,6 - 2,5	9,0	85	85	80	94,0	77,5	KBET6M	12
M75x1,5	53,0 - 66,0	0,6 - 2,5	9,0	85	85	80	94,0	77,5	KBET7SM	5
	63,0 - 75,0	0,6 - 2,5	9,0	95	95	90	105,0	81,0	KBET7M	5

Thread Type **NPT** acc. to ANSI B1.20.1

Outer Thread Size (Male)	Clamping Range Ø min-max mm	Armour Wire Ø min-max mm	Outer Thread Length TL mm	Spanner Width			Outer Ø D mm	max. Height H mm	Part Number	Minimum Order Quantity
				Cap SW Cap mm	Middle Body SW Middle Body mm	Lower Body SW Lower Body mm				
NPT 3/8"	8,0 - 15,0	0,3 - 1,3	16,0	25	25	24	27,0	42,5	KBET01N	70
NPT 1/2"	8,0 - 15,0	0,3 - 1,3	16,0	25	25	24	27,0	42,5	KBET1N	70
	13,5 - 21,0	0,4 - 1,3	16,0	30	30	29	33,0	43,5	KBET1LN	70
NPT 3/4"	8,0 - 15,0	0,3 - 1,3	16,0	25	25	27	30,0	42,5	KBET2SN	70
	13,5 - 21,0	0,4 - 1,3	16,0	30	30	29	33,0	43,5	KBET2N	70
NPT 1"	18,0 - 27,0	0,4 - 1,6	16,0	40	40	40	44,5	50,0	KBET2LN	40
	18,0 - 27,0	0,4 - 1,6	16,0	40	40	40	44,5	50,0	KBET3SN	40
NPT 1 1/4"	23,0 - 33,0	0,4 - 2,0	21,0	43	43	43	47,0	53,5	KBET3N	40
	29,0 - 40,0	0,4 - 2,0	21,0	52	52	52	59,0	57,0	KBET4N	24
NPT 1 1/2"	35,0 - 48,0	0,4 - 2,5	21,0	60	60	60	66,5	69,5	KBET5SN	12
	42,0 - 56,0	0,6 - 2,5	21,0	75	74	70	83,0	76,5	KBET5N	12
NPT 2"	42,0 - 56,0	0,6 - 2,5	21,0	75	74	70	83,0	76,5	KBET6SN	12
	53,0 - 66,0	0,6 - 2,5	21,0	85	85	80	94,0	77,5	KBET6N	12
NPT 2 1/2"	53,0 - 66,0	0,6 - 2,5	21,0	85	85	80	94,0	77,5	KBET7SN	5
	63,0 - 75,0	0,6 - 2,5	21,0	95	95	90	105,0	81,0	KBET7N	5